

MODEL 3480

Operators Manual

To adjust the Model 3480 series cushion clutch requires a 1/16" hex key and any screwdriver bit or 1/4" L shaped hex key. Insert the hex key into the setscrew and remove by a counter clockwise motion. Next, holding the clutch as shown in drawing, insert the screwdriver bit or L shaped hex key into the 1/4" hex female. Turning the screwdriver bit clockwise will increase the torque value, while a counter clockwise motion will decrease the torque value. The setscrew hole needs to be in view of one of the eyelet holes when torque value is reached. Make sure to screw in clockwise the setscrew for each test for torque value. Use a torque tester, such as our Model 4201 to determine exact torque value which is $\pm 5\%$.

Warranty and Repair Service

Standard Pneumatic & Electric Tool Company warrants the 3480 and 3490 easy set clutches and parts to be free from defects in workmanship and material for the life of the tool.

Standard Pneumatic & Electric Tool Company's obligation under this warranty is to repair or replace, without charge to the original purchaser, any part which does not meet the warranty outlined above during the active commercial production of this tool. The 3480 or 3490 is to be returned to the factory with all freight charges prepaid.

This warranty shall not apply to any product that has been fixture-mounted or subjected to misuse, negligence or accident; or in which parts not made or supplied by Standard Pneumatic & Electric Tool Company shall have been used; or which shall have been altered or repaired by other than Standard Pneumatic & Electric Tool Company personnel in a manner which in the determination of Standard Pneumatic & Electric Tool Company shall have affected its operation.

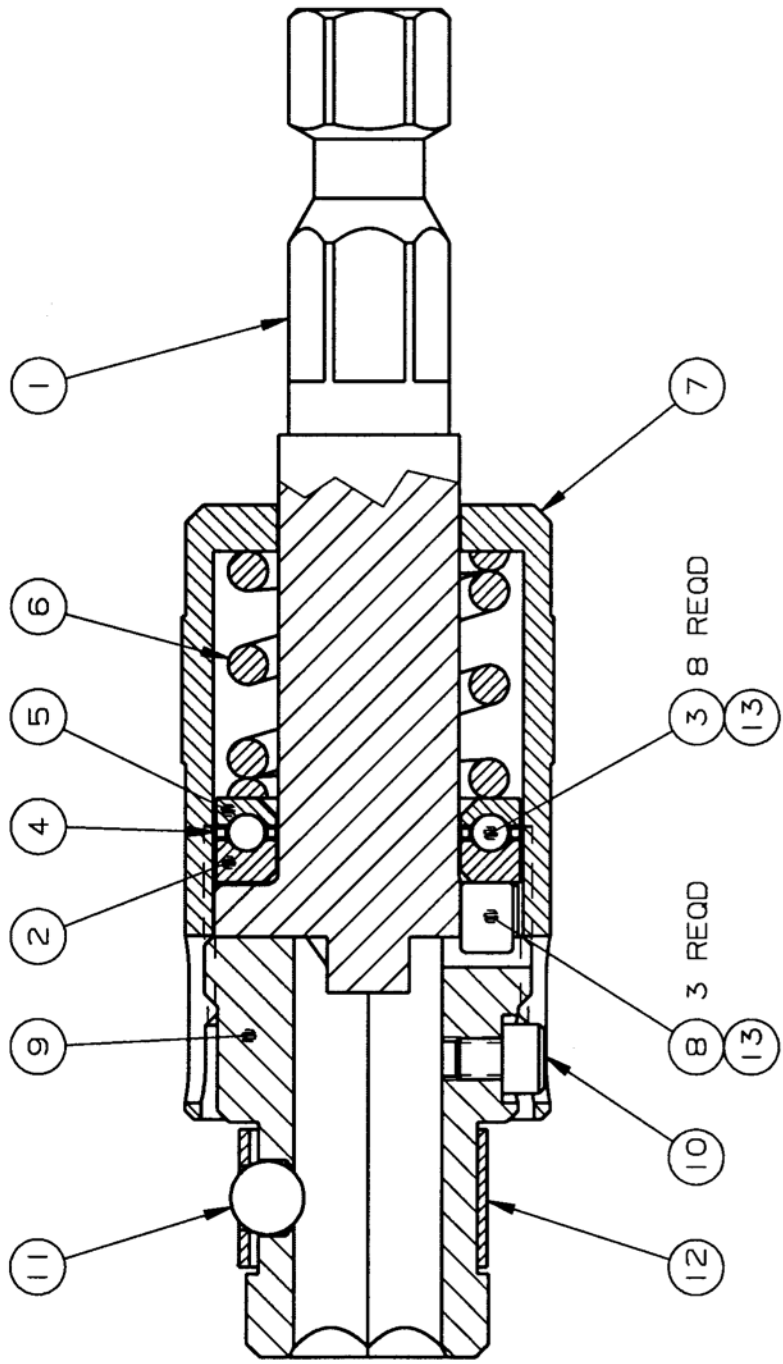
Standard Pneumatic & Electric Tool Company's maximum liability is limited to the purchase price of the 3480 or 3490 and in no event shall Standard Pneumatic & Electric Tool Company be liable for any consequential, indirect, incidental, or special damages of any nature arising from the sale or use of the 3480 or 3490, whether in contract, tort or otherwise.



22-01 Raphael Street, Fair Lawn, NJ 07410 USA
 Tel: 201-796-1720 Fax: 201-796-9399
www.standardpneumatic.com



22-01 Raphael Street, Fair Lawn, NJ 07410 USA
 Tel: 201-796-1720 Fax: 201-796-9399
www.standardpneumatic.com



Item	Part Number	Description	Quantity
1	6137-01	Driver, Clutch 3480	1
2	9926619	Ball Race	1
3	9926346	Steel Ball	8
4	9926316	Cage, Bearing, Nylon	1
5	9926315	Ball Race	1
6	9926783	See Clutch Spring Chart	1
7	9926314	Clutch Sleeve Nut	1
8	9926323	Roller	3
9	6138-01	Sleeve, Bit, 3480 Clutch	1
10	9926356	Socket Screw	1
11	9926353	Steel Ball	1
12	9926950	Bit Spring	1
13	27639	Grease	0

Item	Part Number	Description	Quantity
6	9926781	Torque Range: 0.5-2.5 in-lbs (0.06-0.28 Nm) *	1
6	9926782	Torque Range: 1.0-5.0 in-lbs (0.11-0.56 Nm)	1
6	9926783	Torque Range: 2.0-12.0 in-lbs (0.23-1.36 Nm)	1

*This spring is in the clutch when shipped unless specific torque value has been requested.