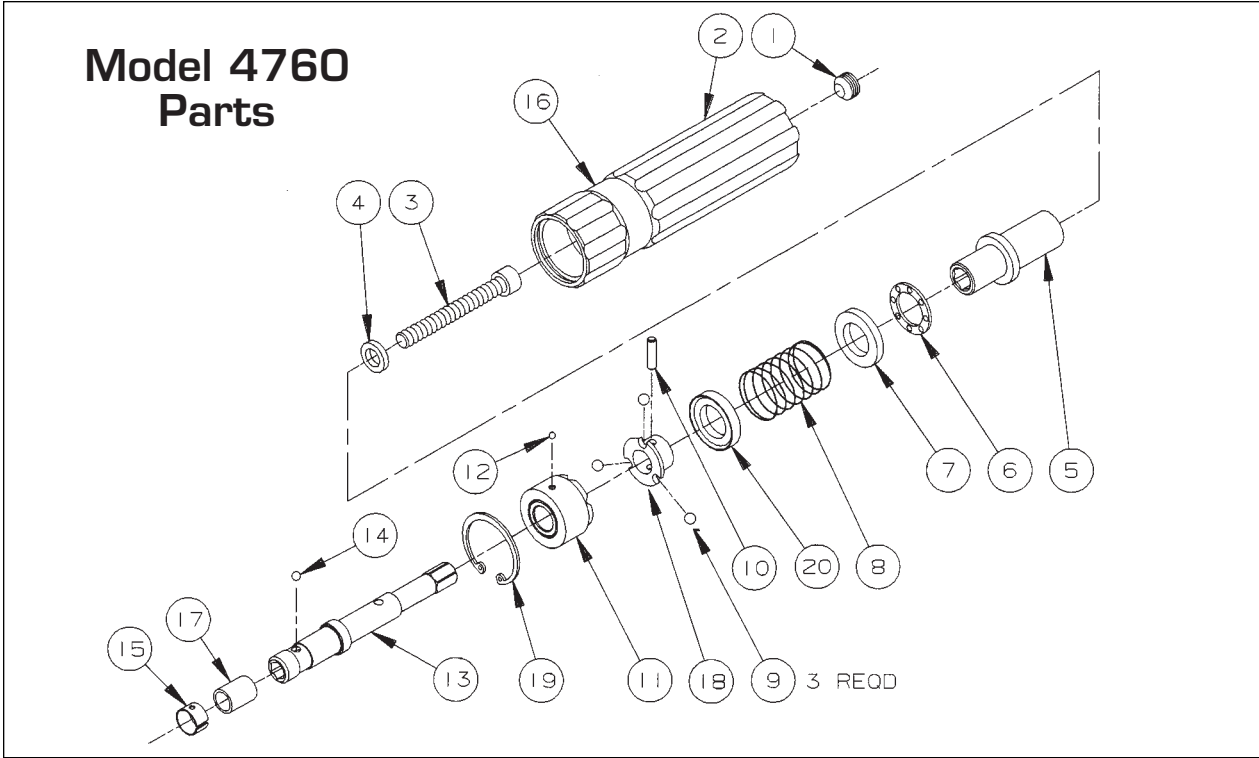




Micrometer Manual Torque Tools



Parts List

Item No.	Part No.	Description	Quantity
1	9947010	3/8-24 X .250 Set Screw	1
2	9947046	Handle Assembly	1
3	9947009	1/4-20 X 2.00 SOHX Screw	1
4	9947008	Washer	1
5	9947018	Support, Spindle	1
6	19775	Thrust Bearing	1
7	9947005	Washer	1
8	19772	Spring 5-40 in/lb	1
9	99Z6990	Steel Ball, .156 Diameter	3
10	9986245	Dowl Pin	1
11	9947048	Cam Assembly	1
12	9926349	Steel Ball, .094 Diameter	1
13	9947000	Spindle	1
14	9926353	Steel Ball, .125 Diameter	1
15	9926950	Bit Spring	1
16	9947025	Nameplate	1
17	9947028	Sleeve Packet, 5 Colors	1
18	9947050	Drive	1
19	19777	Retaining Ring	1
20	9947029	Washer, Cam	1
21	9987172	Wrench, Hex Key, .188	1